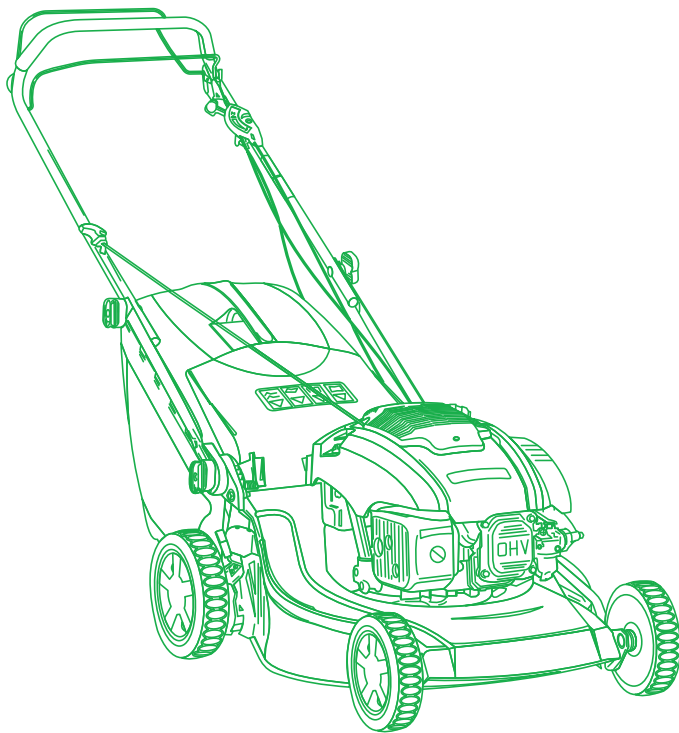


ILLUSTRATED PARTS LIST

NTL 534 W TR BBC NTL 534 W TRQ BBC



- Use GLOBAL GARDEN PRODUCT Genuine Spare Parts specified in the parts list for repair and/or replacement.
- The contents described in the parts list may change due to improvement.
- The drawings of the spare parts are only indicative and might not represent the part in question exactly.
- The indications "right" - "left" - "front" - "rear" refer to the position of the operator when using the machine.
- When placing orders of parts for repair and/or replacement, make sure that the illustrated parts list is the one applying to the machine's year of manufacture, as shown on the identification plate attached to the machine.

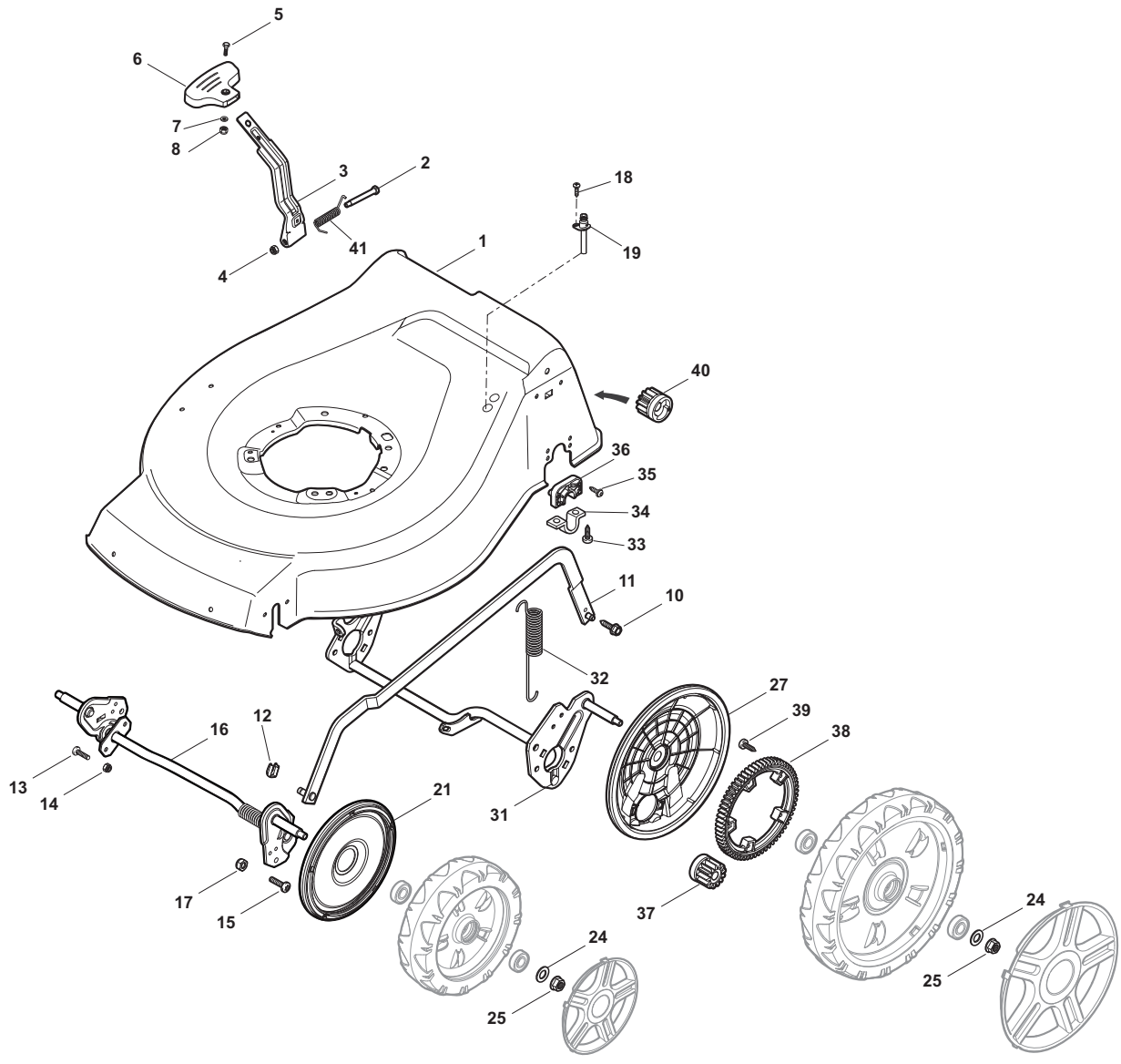
© Copyright 2012 Global Garden Products

All content is subject to copyright by Global Garden Products and may not be reproduced in whole or in part by any means, electronic or otherwise, without prior written approval.

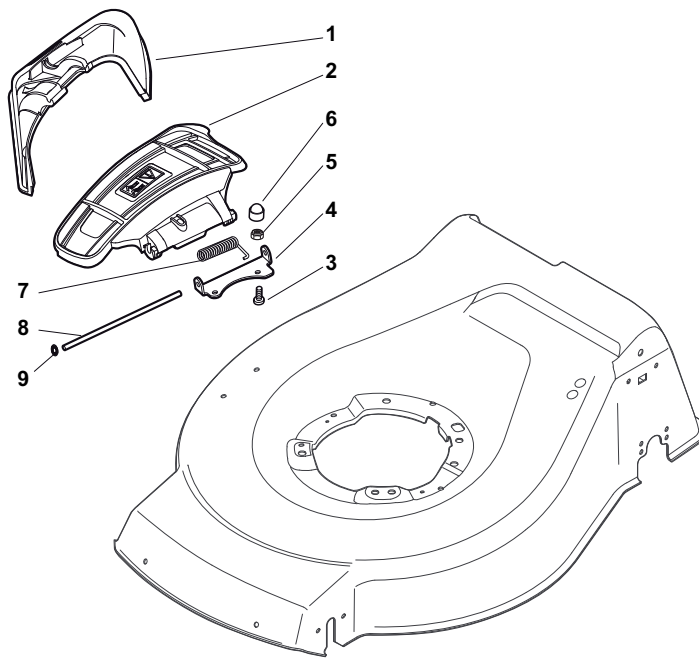
THIS INFORMATION IS NOT INTENDED FOR SALE OR RESALE, AND THIS NOTICE MUST REMAIN ON ALL COPIES.



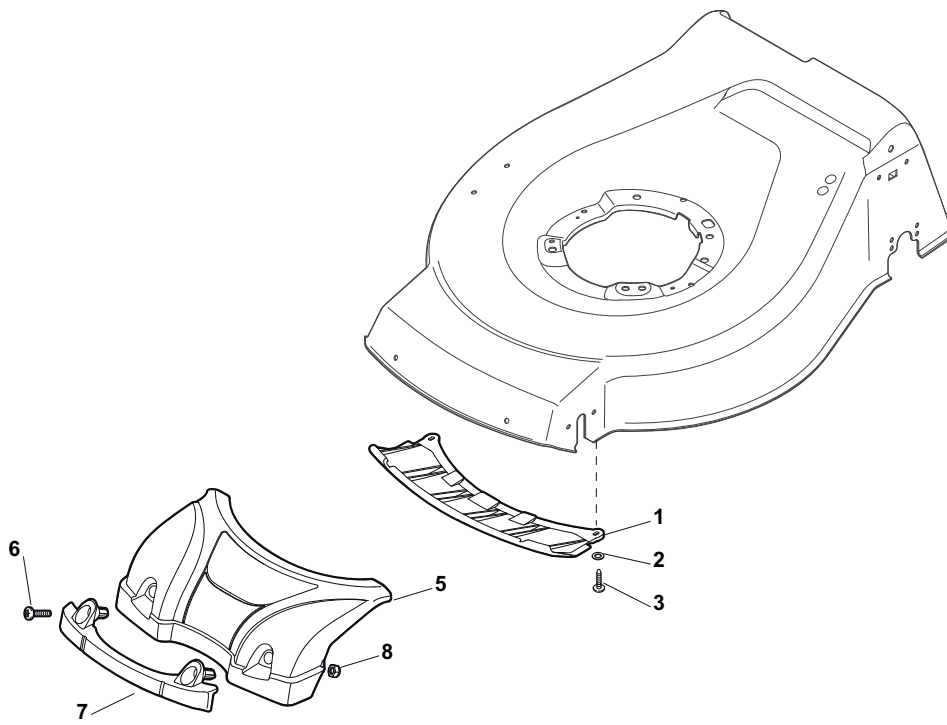
GLOBAL GARDEN PRODUCTS



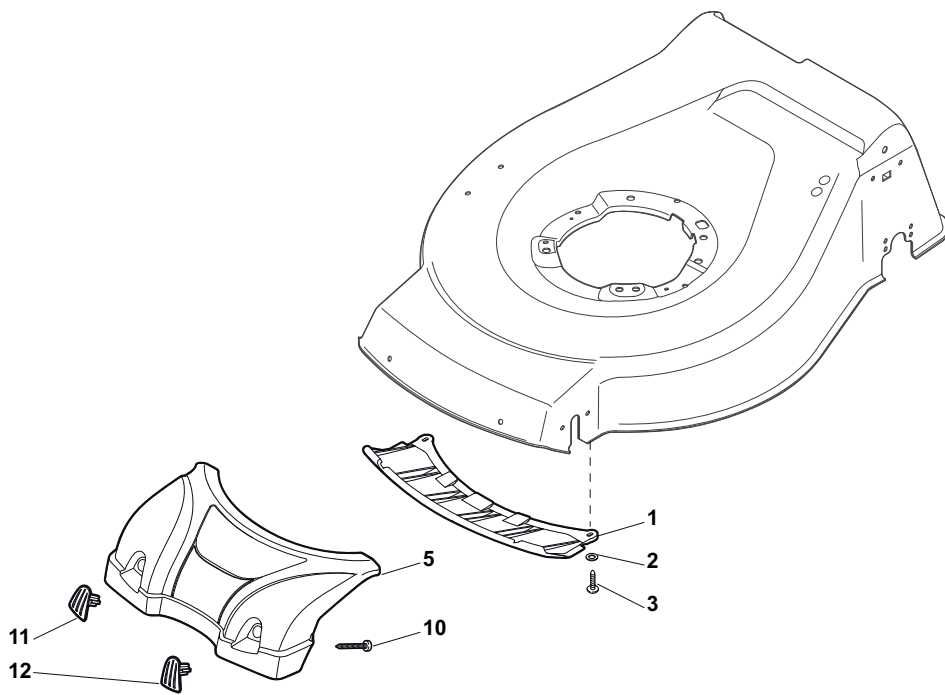
POS	PART. NO	Q.ty	DESCRIPTION	DESCRIZIONE	DESCRIPTION	BESCHREIBUNG	REMARKS
1	381004540/0	1	Deck Red	Chassis Rosso	Châssis Rouge	Gehäuse Rot	
1	381004590/0	1	Deck Yellow	Chassis Giallo	Châssis Jaune	Gehäuse Gelb	
1	381004542/0	1	Deck Red	Chassis Rosso	Châssis Rouge	Gehäuse Rot	Side Discharge
2	122534131/0	1	Pin	Perno	Pivot	Bolzen	
3	322322853/0	1	Lever, Height Adjustment	Leva Regolazione Altezza	Levier, Reglage Hauteur	Hebel, Höheverstellung	
4	12154510/0	1	Nut	Dado	Ecrou	Mutter	
5	12788512/0	1	Screw	Vite	Vis	Schraube	
6	322394503/0	1	Knob	Manopolina	Poignée	Griff	
7	12521310/0	1	Washer	Rondella	Rondelle	Scheibe	
8	12150000/0	1	Nut	Dado	Ecrou	Mutter	
10	122943013/0	1	Screw	Vite	Vis	Schraube	
11	381002032/0	1	Rod, Height Adjustment	Asta Comando Regol. Altezza	Tige Commande Reglage Hauteur	Stange, Höheverstellung	
12	112436051/0	1	Plate	Piastrina	Plaquette	Plättchen	
13	112727803/0	3	Screw	Vite	Vis	Schraube	
14	12154510/0	3	Nut	Dado	Ecrou	Mutter	
15	112727801/0	1	Screw	Vite	Vis	Schraube	
16	381002887/1	1	Axle, Front Wheels	Asse Ruote Anteriori	Axe Roues Avant	Achse, Vorderrad	
17	12154510/0	1	Nut	Dado	Ecrou	Mutter	
18	12728450/0	1	Screw	Vite	Vis	Schraube	
19	322034002/0	1	Washing Connection	Attacco Acqua Lavaggio	Attaque Lavage	Waschenverbindung	
21	322600145/0	2	Protection, Wheel	Prot. Ruote	Protection Roue	Schütz, Räder	
24	12521350/0	4	Washer	Rondella	Rondelle	Scheibe	
25	12155000/0	4	Nut	Dado	Ecrou	Mutter	
27	322600208/0	2	Protection, Wheel	Prot. Ruote	Protection Roue	Schütz, Räder	
31	381302835/0	1	Axle, Rear Wheels	Asse Ruote Posteriori	Axe Roues Arriere	Achse, Hinterrad	
32	122450460/0	1	Spring	Molla	Ressort	Feder	
33	112728697/0	4	Screw	Vite	Vis	Schraube	
34	22545152/0	2	Plate	Piastrina	Plaquette	Platte	
35	112728697/0	4	Screw	Vite	Vis	Schraube	
36	322785304/0	2	Support	Supporto	Support	Halter	
37	122570134/0	1	Pinion L	Pignone Sx	Pignon G	Ritzel Linkes	
38	322120115/0	2	Ring Gear	Corona Trasinamento	Couronne	Kranz	
39	112728706/0	6	Screw	Vite	Vis	Schraube	
40	122570133/0	1	Pinion R	Pignone Dx	Pignon D	Ritzel Rechtes	
41	122446192/0	1	Spring	Molla	Ressort	Feder	



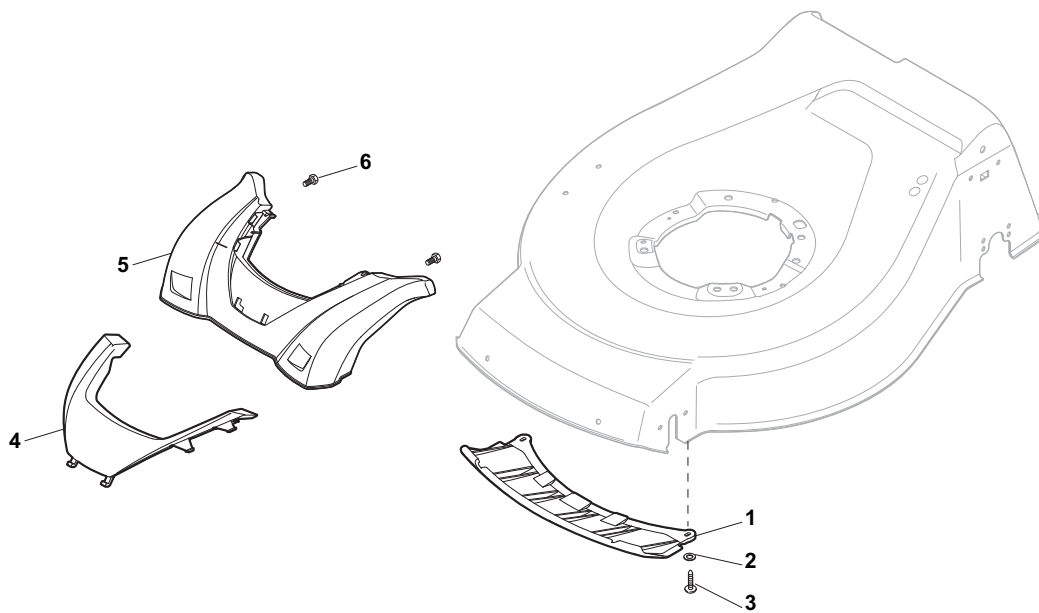
POS	PART. NO	Q.ty	DESCRIPTION	DESCRIZIONE	DESCRIPTION	BESCHREIBUNG	REMARKS
1	322108295/0	1	Stone-Guard	Parasassi	Pare-Pierres	Prallblech	
2	322600195/0	1	Ejection Guard	Protezione Uscita	Protection Sortie	Auswurfschutz	
3	112727803/0	2	Screw	Vite	Vis	Schraube	
4	322806639/0	1	Fulcrum Pin	Fulcro	Point D'Appui	Gelenkpunkt	
5	12154510/0	2	Nut	Dado	Ecrou	Mutter	
6	18203853/0	2	Protection	Cappuccio	Capuchon	Stecker	
7	122450456/0	1	Spring	Molla	Ressort	Feder	
8	122517869/0	1	Pin	Perno	Pivot	Bolzen	
9	12604896/0	2	Crown Fastener	Fissatore A Corona	Fixateur A Couronne	Kronescheibe	



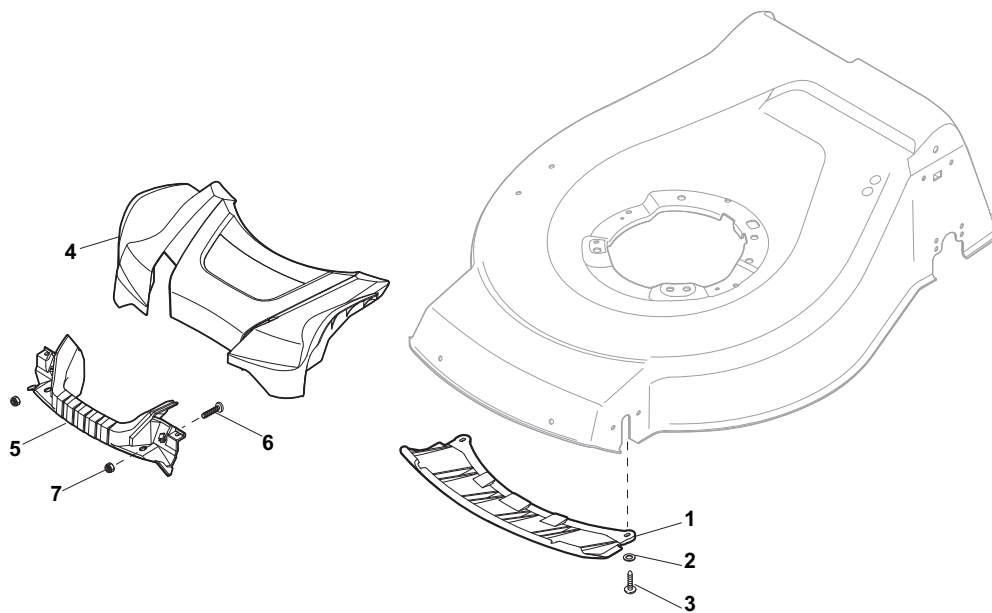
POS	PART. NO	Q.ty	DESCRIPTION	DESCRIZIONE	DESCRIPTION	BESCHREIBUNG	REMARKS
1	322500103/0	1	Front Combi	Pettine Anteriore	Peigne Avant	Vorne Comb	
2	112523000/1	2	Washer	Rosetta	Rondelle	Scheibe	
3	12728124/0	2	Screw	Vite	Vis	Schraube	
5	322226145/0	1	Mask, Red	Mascherina, Rosso	Mesque, Rouge	Maske, Rot	
5	322226154/0	1	Mask, Black	Mascherina, Nero	Mesque, Noire	Maske, Schwarz	
5	322226146/0	1	Mask, Black	Mascherina, Nero	Mesque, Noire	Maske, Schwarz	
5	322226152/0	1	Mask, Yellow	Mascherina, Giallo	Mesque, Jaune	Maske, Gelb	
6	112727799/0	2	Screw	Vite	Vis	Schraube	
7	322393638/0	1	Handle, Black	Maniglia, Nero	Poignee, Noire	Griff, Schwarz	
7	322393640/0	1	Handle, Yellow	Maniglia, Gialla	Poignee, Jaune	Griff, Gelb	
7	322393639/0	1	Handle, Grey	Maniglia, Grigio	Poignee, Gris	Griff, Grau	
8	12154510/0	2	Nut	Dado	Ecrou	Mutter	



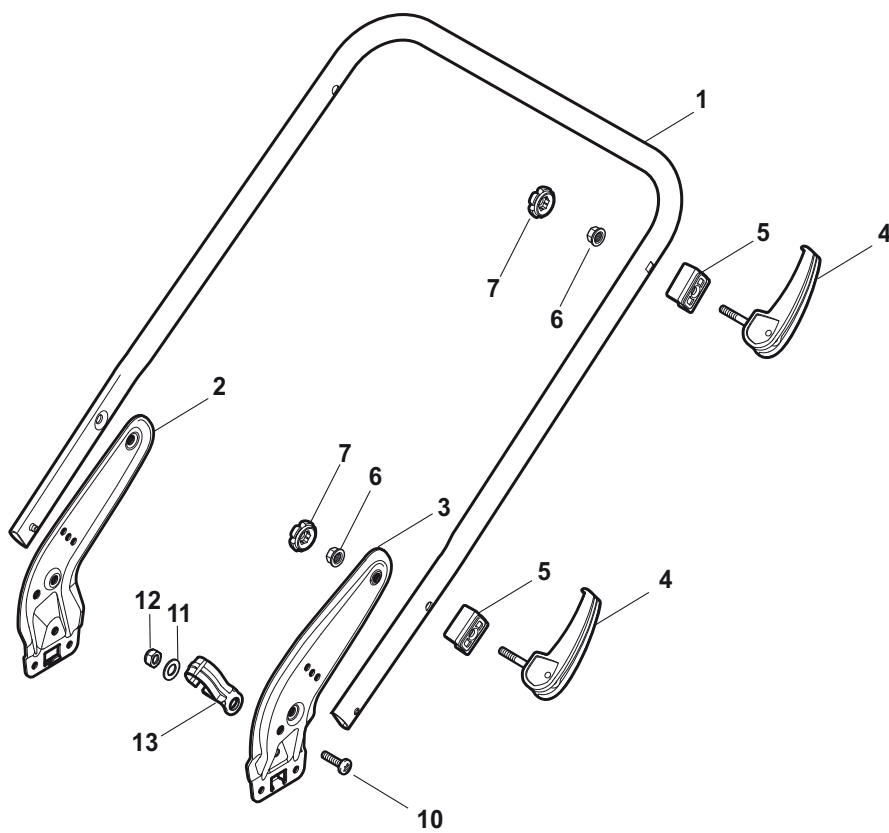
POS	PART. NO	Q.ty	DESCRIPTION	DESCRIZIONE	DESCRIPTION	BESCHREIBUNG	REMARKS
1	322500103/0	1	Front Combi	Pettine Anteriore	Peigne Avant	Vorne Comb	
2	112523000/1	2	Washer	Rosetta	Rondelle	Scheibe	
3	12728124/0	2	Screw	Vite	Vis	Schraube	
5	322226146/0	1	Mask, Black	Mascherina, Nero	Mesque, Noire	Maske, Schwarz	
5	322226152/0	1	Mask, Yellow	Mascherina, Giallo	Mesque, Jaune	Maske, Gelb	
5	322226145/0	1	Mask, Red	Mascherina, Rosso	Mesque, Rouge	Maske, Rot	
5	322226154/0	1	Mask, Black	Mascherina, Nero	Mesque, Noire	Maske, Schwarz	
10	112728697/0	2	Screw	Vite	Vis	Schraube	
11	322820082/0	1	Cap	Tappo	Bouchon	Gummistopfen	
12	322820083/0	1	Cap	Tappo	Bouchon	Gummistopfen	



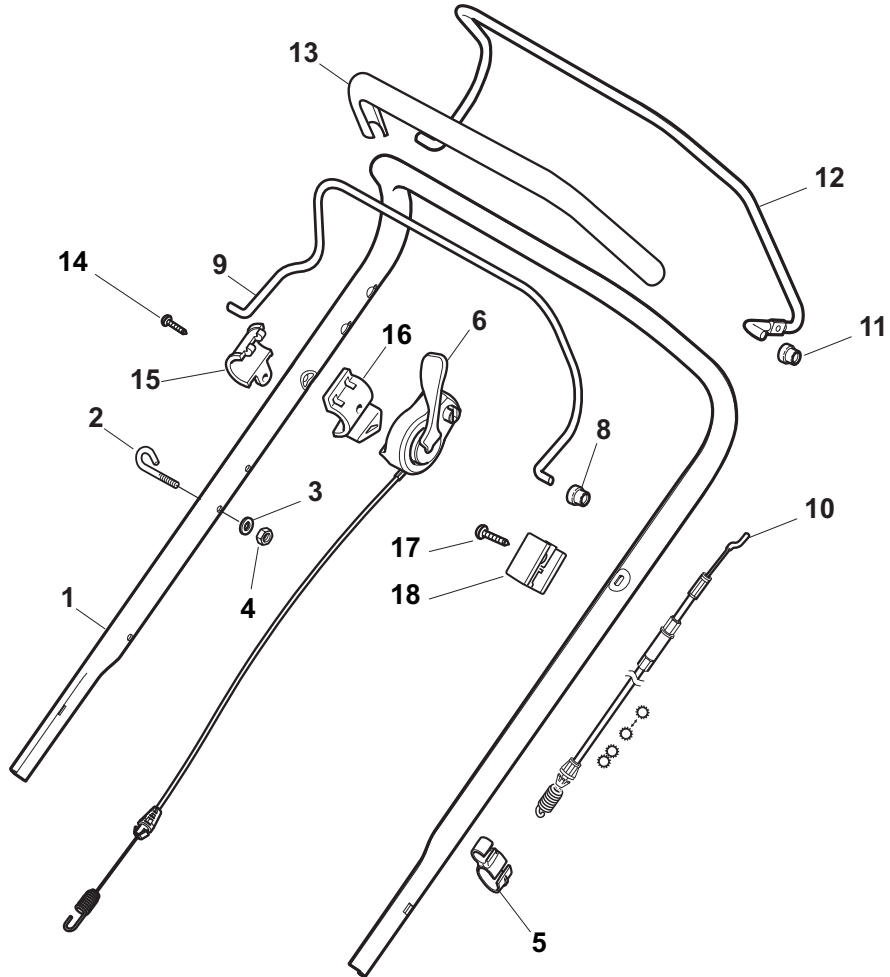
POS	PART. NO	Q.ty	DESCRIPTION	DESCRIZIONE	DESCRIPTION	BESCHREIBUNG	REMARKS
1	322500103/0	1	Front Combi	Pettine Anteriore	Peigne Avant	Vorne Comb	
2	112523000/1	2	Washer	Rosetta	Rondelle	Scheibe	
3	12728124/0	2	Screw	Vite	Vis	Schraube	
4	322226167/0	1	Frontal Plate	Placca Frontale	Plaque Frontale	Frontplatte	
5	322226166/0	1	Mask, Black	Mascherina, Nero	Mesque, Noire	Maske, Schwarz	
6	12728300/0	2	Screw	Vite	Vis	Schraube	



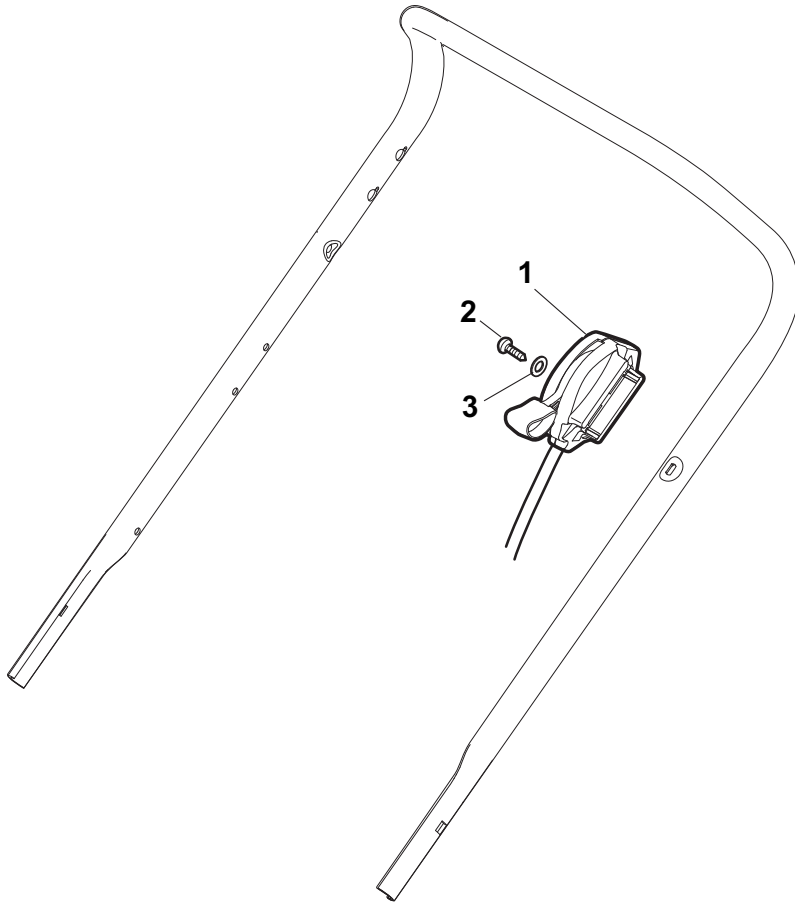
POS	PART. NO	Q.ty	DESCRIPTION	DESCRIZIONE	DESCRIPTION	BESCHREIBUNG	REMARKS
1	322500103/0	1	Front Combi	Pettine Anteriore	Peigne Avant	Vorne Comb	
2	112523000/1	2	Washer	Rosetta	Rondelle	Scheibe	
3	12728124/0	2	Screw	Vite	Vis	Schraube	
4	322226158/0	1	Mask, Black	Mascherina, Nero	Mesque, Noire	Maske, Schwarz	
5	322393642/0	1	Bumper	Bumper	Bumper	Bumper	
6	12727799/0	2	Screw	Vite	Vis	Schraube	
7	12154510/0	2	Nut	Dado	Ecrou	Mutter	



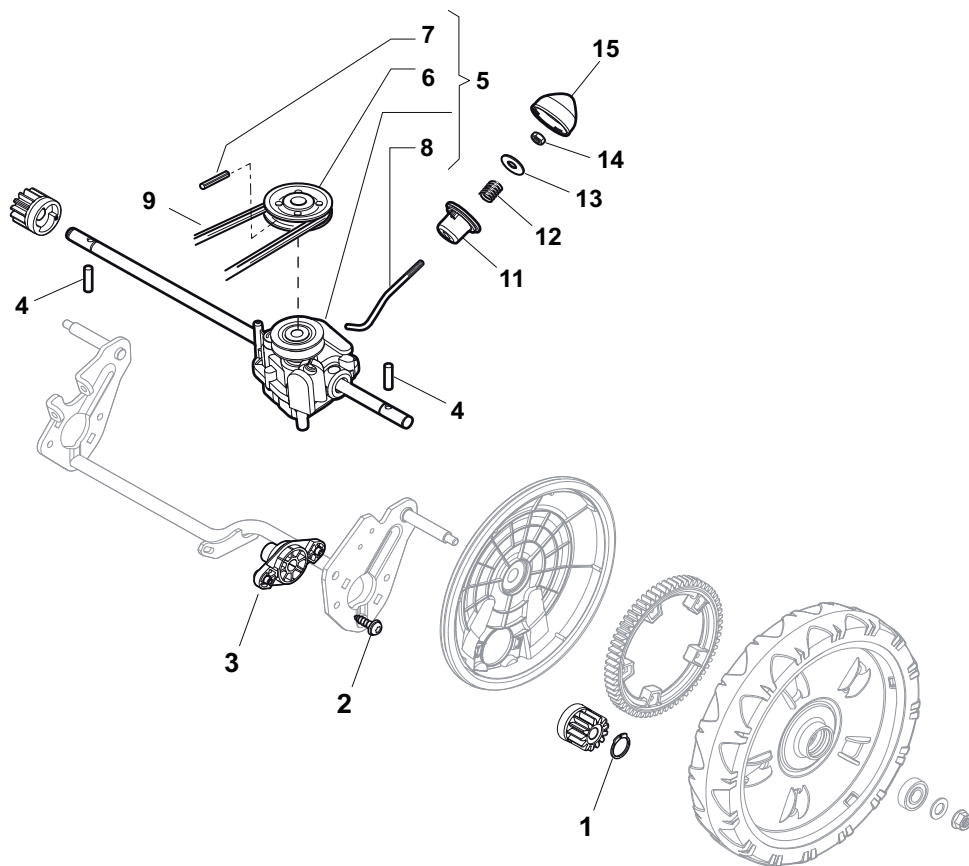
POS	PART. NO	Q.ty	DESCRIPTION	DESCRIZIONE	DESCRIPTION	BESCHREIBUNG	REMARKS
1	381006719/0	1	Handle, Lower Part	Manico, Parte Inf	Mancheron, Partie Inferieure	Holm, Unterteil	Black
1	381006720/0	1	Handle, Lower Part	Manico, Parte Inf	Mancheron, Partie Inferieure	Holm, Unterteil	Grey
2	381005149/0	1	Bracket, R	Staffa Dx	Bride D	Pratze, Rechte	
3	381005151/0	1	Bracket, L	Staffa Sx	Bride G	Pratze, Linke	
4	381003253/0	4	Handle	Maniglia	Poignee	Griff	
5	322680016/0	4	Support	Supporto	Support	Halter	
6	22131750/0	4	Nut	Dado	Ecrou	Mutter	
7	322399835/0	4	Knob	Manopolina	Poignée	Griff	
10	12760605/0	2	Screw	Vite	Vis	Schraube	
11	25038002/1	1	Bush	Bussola	Douille	Buchse	
12	12155000/0	2	Nut	Dado	Ecrou	Mutter	
13	322192156/0	1	Fair Led	Fascetta	Fixation De Cable	Kabelbefestigung	



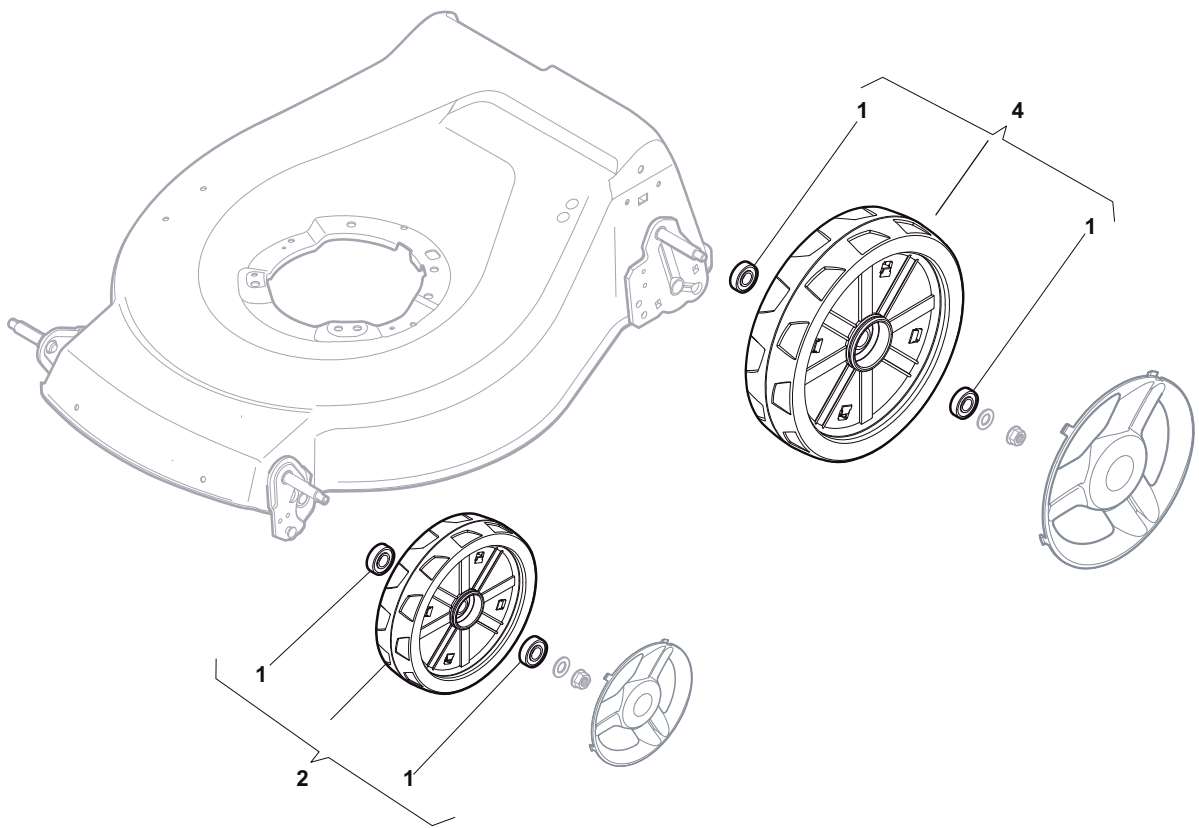
POS	PART. NO	Q.ty	DESCRIPTION	DESCRIZIONE	DESCRIPTION	BESCHREIBUNG	REMARKS
1	381006836/0	1	Handle, Upper Part	Manico, Parte Sup	Mancheron, Partie Superieure	Holm, Oberteil	
2	22430313/0	1	Guide Spring	Molla Guida	Ressort De Guide	Feder Führer	
3	12521330/0	1	Washer	Rosetta	Rondelle	Scheibe	
4	12154510/0	1	Nut	Dado	Ecrou	Mutter	
5	118390020/0	1	Fairlead	Fermacavo	Fixation Cable	Kabelbefestigung	
6	381030060/0	1	Cable, Mechanical Clutch	Cavo Comando Frizione Meccanica	Câble, Commande Embayage Mecanique	Kabel, Mechanische Kupplung	
8	22041966/0	2	Bush	Bussola	Douille	Buchse	
9	181003332/1	1	Lever, Engine Brake	Leva Freno Motore	Levier Frein Moteur	Hebel, Motorbremse	
10	381030051/0	1	Cable, Rear Drive	Cavo Comando Trazione	Câble, Commande Traction	Kabel, Antrieb	
11	22041966/0	2	Bush	Bussola	Douille	Buchse	
12	181003301/1	1	Lever, Driving	Leva Trazione	Levier Traction	Hebel, Antrieb	
13	22291050/0	1	Handgrip Black	Impugnatura Manico Nera	Poignée Noire	Handgriff Schwarz	
14	12728688/0	1	Screw	Vite	Vis	Schraube	
15	322545207/1	1	R Protection	Protezione Dx	Protection D	Rechte Schutz	
16	322545208/1	1	L Protection	Protezione Sx	Protection G	Linke Schutz	
17	22551640/0	1	Plate	Piastrina	Plaquette	Plättchen	
18	112727783/0	1	Screw	Vite	Vis	Schraube	



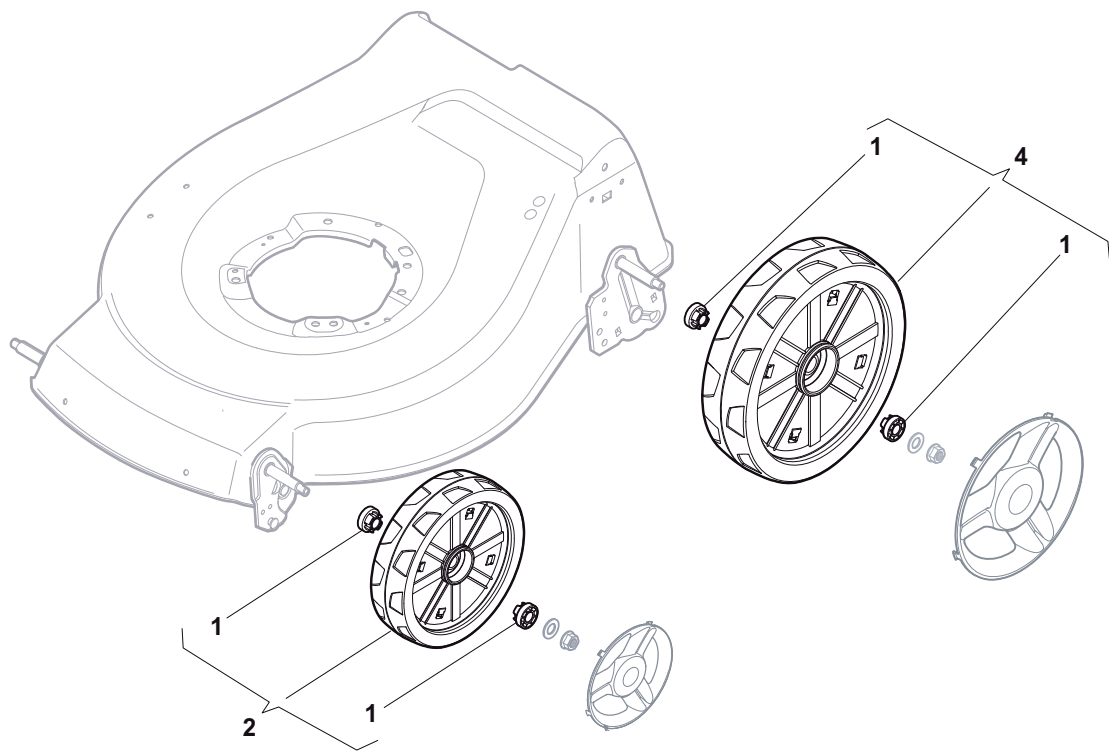
POS	PART. NO	Q.ty	DESCRIPTION	DESCRIZIONE	DESCRIPTION	BESCHREIBUNG	REMARKS
1	181005505/1	1	Throttle Cable	Cavo Acceleratore	Cable, Accelérateur	Gashebel Kabel	B&S
1	181005506/1	1	Throttle Cable	Cavo Acceleratore	Cable, Accelérateur	Gashebel Kabel	Honda
2	12735103/0	1	Screw	Vite	Vis	Schraube	
3	12523040/0	1	Washer	Rosetta	Rondelle	Scheibe	



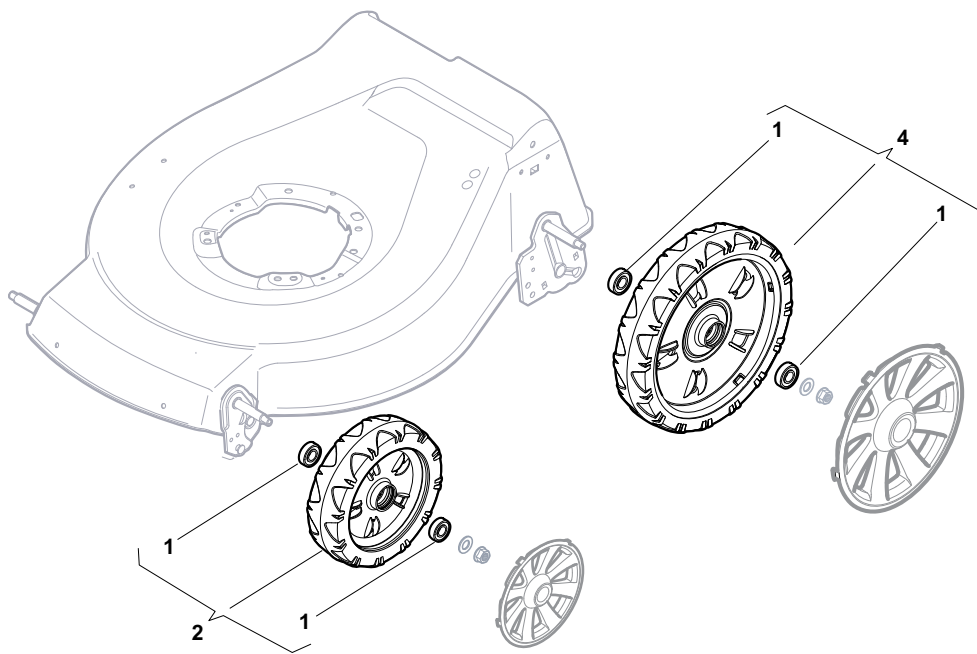
POS	PART. NO	Q.ty	DESCRIPTION	DESCRIZIONE	DESCRIPTION	BESCHREIBUNG	REMARKS
1	12608600/0	2	Seeger	Seeger	Seeger	Seeger	
2	112728697/0	4	Screw	Vite	Vis	Schraube	
3	322042063/0	2	Bush	Bussola	Douille	Buchse	
4	22753000/0	2	Pin	Spina	Goupille	Stift	
5	81003092/0	1	Gear Box	Gruppo Trazione	Groupe Traction	Antrieb	
6	22601909/0	1	Pulley	Puleggia	Poulie	Riemenscheibe	
7	12645700/0	1	Pin	Spina	Goupille	Stift	
8	22033283/0	1	Adjustment Rod	Asta Regolazione	Tige Reglage	Verstellungstange	
9	35063902/0	1	Belt Z 29.5	Cinghia Z 29.5	Courroie Z 29.5	Riemen Z 29.5	
11	22041957/1	1	Bush	Bussola	Douille	Buchse	
12	22450063/0	1	Spring	Molla	Ressort	Feder	
13	22680009/0	1	Washer	Rosetta	Rondelle	Scheibe	
14	12154510/0	1	Nut	Dado	Ecrou	Mutter	
15	22110230/0	1	Cap	Tappo	Bouchon	Gummistopfen	



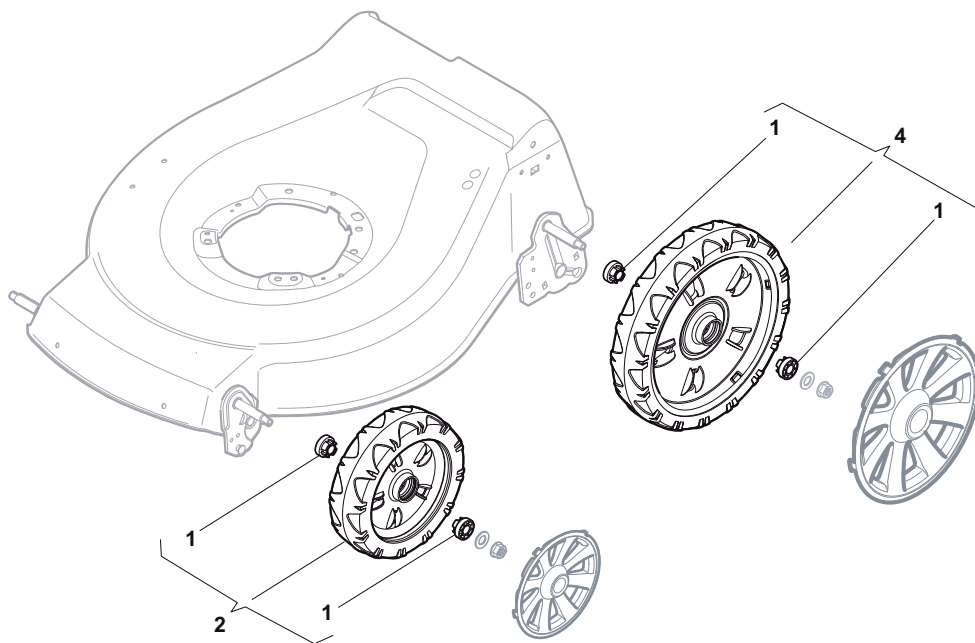
POS	PART. NO	Q.ty	DESCRIPTION	DESCRIZIONE	DESCRIPTION	BESCHREIBUNG	REMARKS
1	119216035/0	2	Bearing	Cuscinetto	Coussinet	Lager	
2	381007483/0	4	Wheel Ø 200	Ruota Ø 200	Roue Ø 200	Rad Ø 200	
4	381007478/0	4	Wheel Ø 280	Ruota Ø 280	Roue Ø 280	Rad Ø 280	



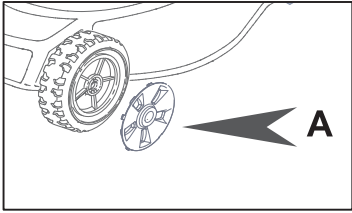
POS	PART. NO	Q.ty	DESCRIPTION	DESCRIZIONE	DESCRIPTION	BESCHREIBUNG	REMARKS
1	322042064/0	8	Bush	Bussola	Douille	Buchse	
2	381007481/0	4	Wheel Ø 200	Ruota Ø 200	Roue Ø 200	Rad Ø 200	
4	381007485/0	4	Wheel Ø 280	Ruota Ø 280	Roue Ø 280	Rad Ø 280	



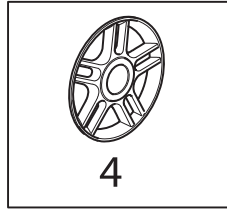
POS	PART. NO	Q.ty	DESCRIPTION	DESCRIZIONE	DESCRIPTION	BESCHREIBUNG	REMARKS
1	19216035/0	8	Bearing	Cuscinetto	Coussinet	Lager	
2	381007416/1	4	Wheel Ø 200	Ruota Ø 200	Roue Ø 200	Rad Ø 200	
4	381007417/1	4	Wheel Ø 280	Ruota Ø 280	Roue Ø 280	Rad Ø 280	



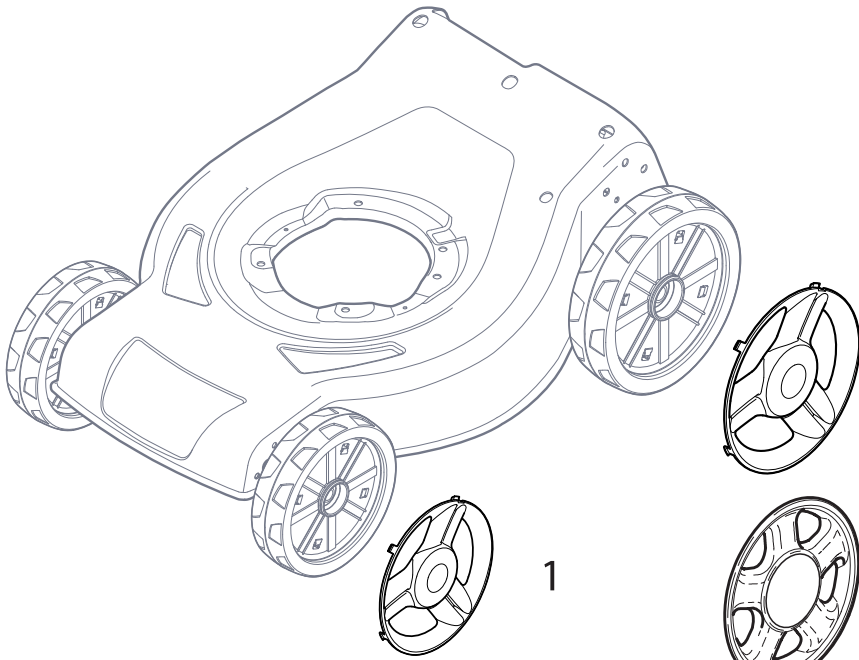
POS	PART. NO	Q.ty	DESCRIPTION	DESCRIZIONE	DESCRIPTION	BESCHREIBUNG	REMARKS
1	322042063/0	8	Bush	Bussola	Douille	Buchse	
2	381007435/0	4	Wheel Ø 200	Ruota Ø 200	Roue Ø 200	Rad Ø 200	
4	381007436/0	4	Wheel Ø 280	Ruota Ø 280	Roue Ø 280	Rad Ø 280	



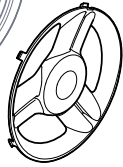
+



= A4



1 ← B



1



2

A →



2



3



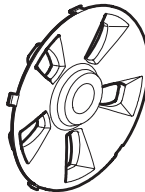
3



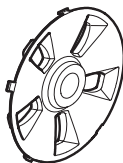
4



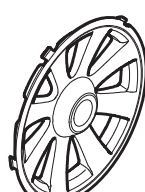
4



5



5

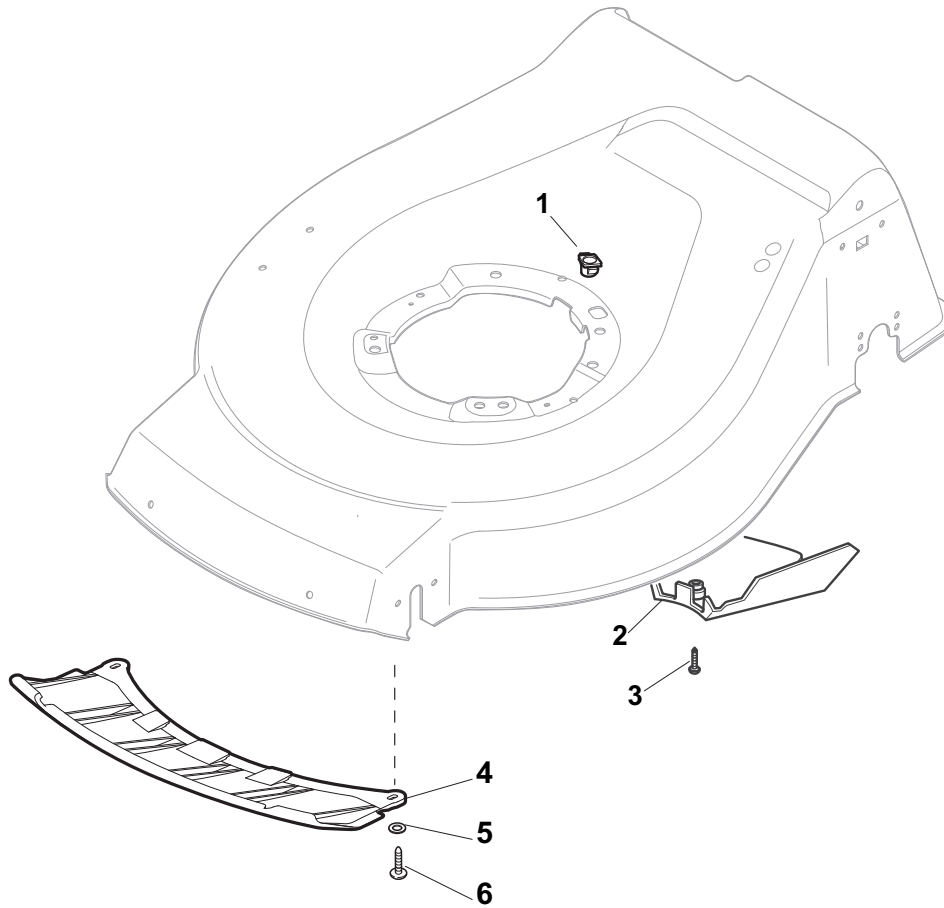


6

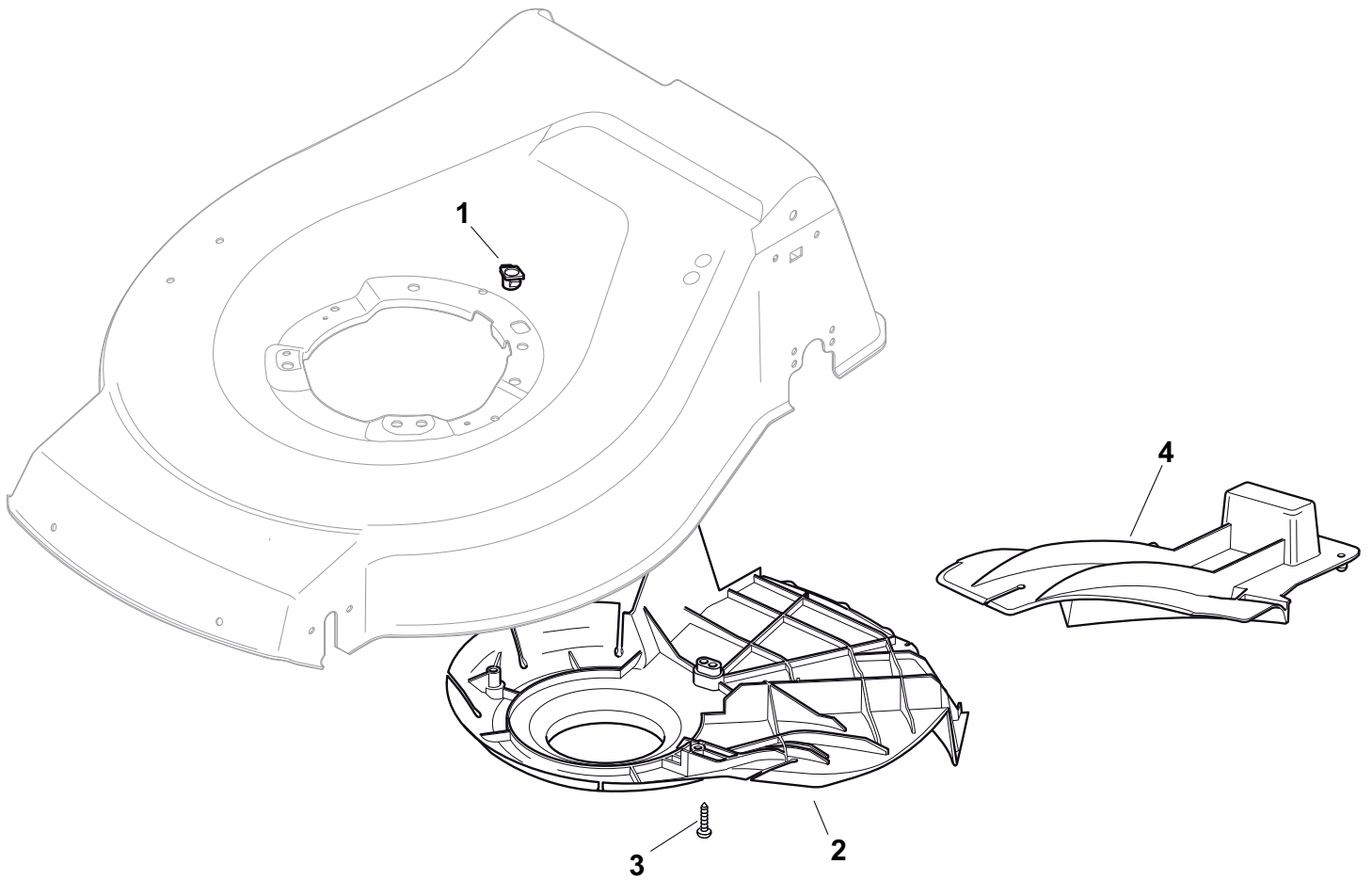


6

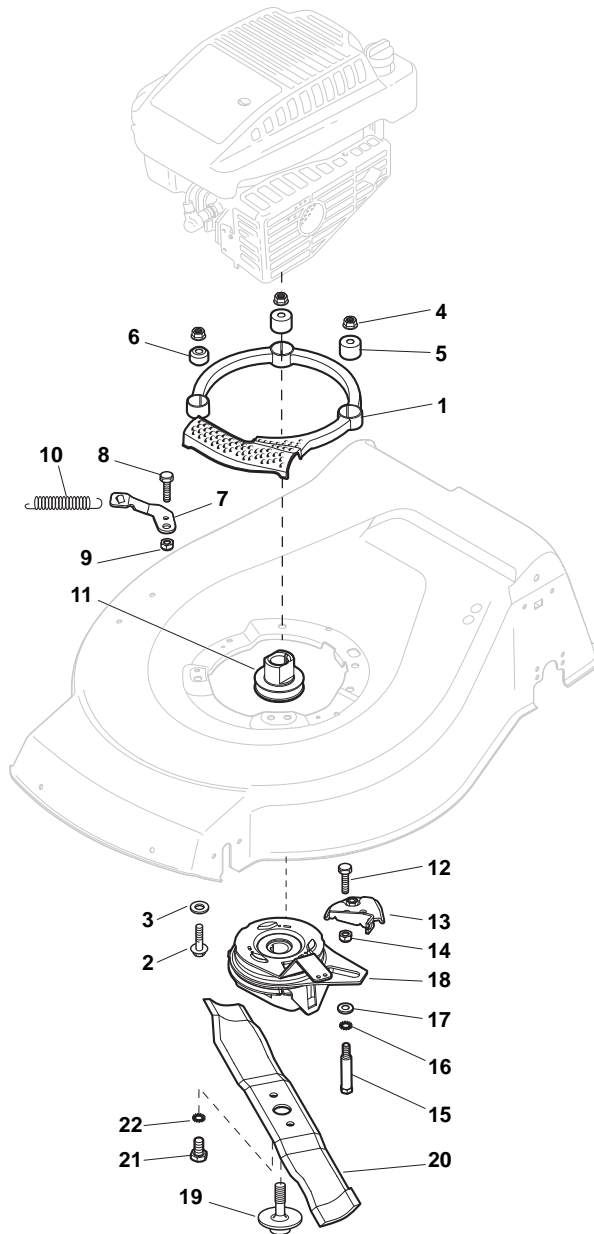
POS	PART. NO	Q.ty	DESCRIPTION	DESCRIZIONE	DESCRIPTION	BESCHREIBUNG	REMARKS
A1	322110687/0	2	Hub Cap Grey	Coprимozzo Grigio	Couvre-Moyeu	Radkappe	
A2	22110382/0	2	Hub Cap Grey	Coprимozzo Grigio	Couvre-Moyeu	Radkappe	
A3	22110417/0	2	Hub Cap Grey	Coprимozzo Grigio	Couvre-Moyeu	Radkappe	
A4	22110492/0	2	Hub Cap Grey	Coprимozzo Grigio	Couvre-Moyeu	Radkappe	
A5	322110643/0	2	Hub Cap Grey	Coprимozzo Grigio	Couvre-Moyeu	Radkappe	
A6	322110645/0	2	Hub Cap Grey	Coprимozzo Grigio	Couvre-Moyeu	Radkappe	
B1	322110641/0	2	Hub Cap Grey	Coprимozzo Grigio	Couvre-Moyeu	Radkappe	
B2	22110511/0	2	Hub Cap Grey	Coprимozzo Grigio	Couvre-Moyeu	Radkappe	
B3	322110590/0	2	Hub Cap Grey	Coprимozzo Grigio	Couvre-Moyeu	Radkappe	
B4	22110560/0	2	Hub Cap Grey	Coprимozzo Grigio	Couvre-Moyeu	Radkappe	
B5	322110644/0	2	Hub Cap Grey	Coprимozzo Grigio	Couvre-Moyeu	Radkappe	
B6	322110646/0	2	Hub Cap Grey	Coprимozzo Grigio	Couvre-Moyeu	Radkappe	



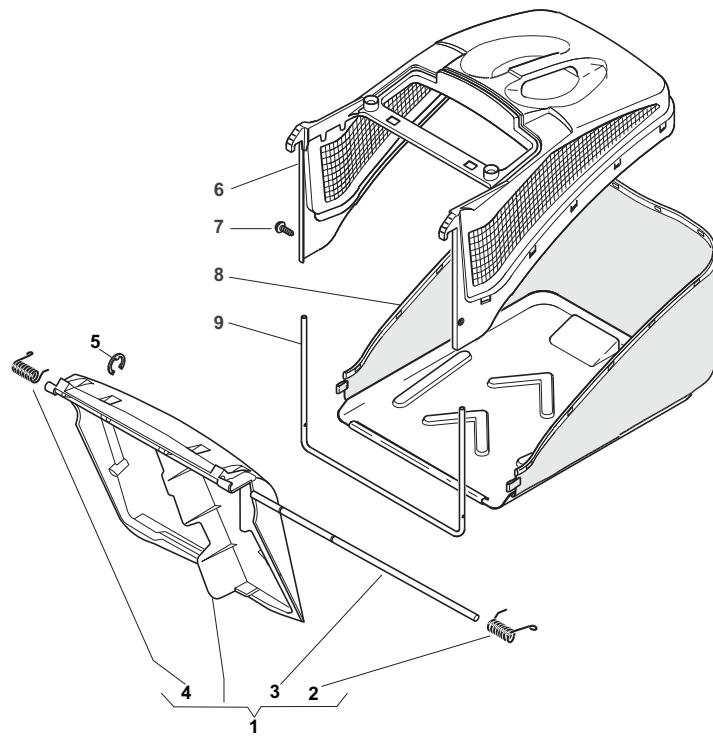
POS	PART. NO	Q.ty	DESCRIPTION	DESCRIZIONE	DESCRIPTION	BESCHREIBUNG	REMARKS
1	22291150/0	1	Rubber Insert	Inserto In Gomma	Insert De	Gummi Einsatz	
2	22060192/0	1	Protection, Belt	Carter Cinghia	Protection	Schutz, Riemen	
3	12728530/0	1	Screw	Vite	Vis	Schraube	



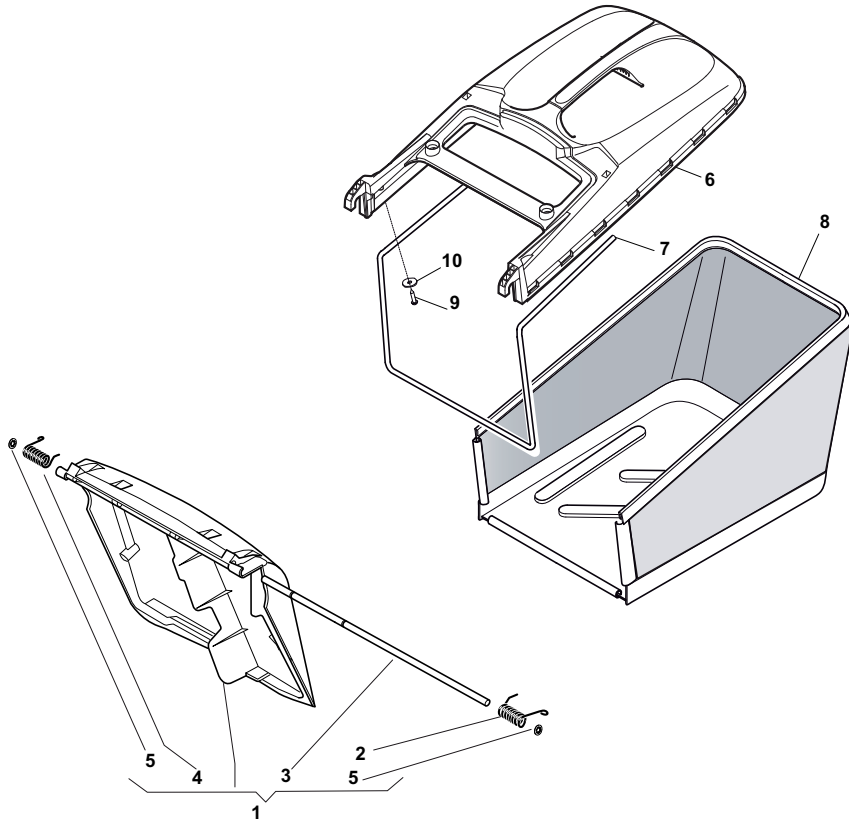
POS	PART. NO	Q.ty	DESCRIPTION	DESCRIZIONE	DESCRIPTION	BESCHREIBUNG	REMARKS
1	22291150/0	1	Rubber Insert	Insero In Gomma	Insert De	Gummi Einsatz	
2	322060238/0	1	Protection, Belt	Carter Cinghia	Protection	Schutz, Riemen	
3	12728530/0	3	Screw	Vite	Vis	Schraube	
4	22140222/0	1	Deflector	Deflettore	Deflecteur	Deflektor	



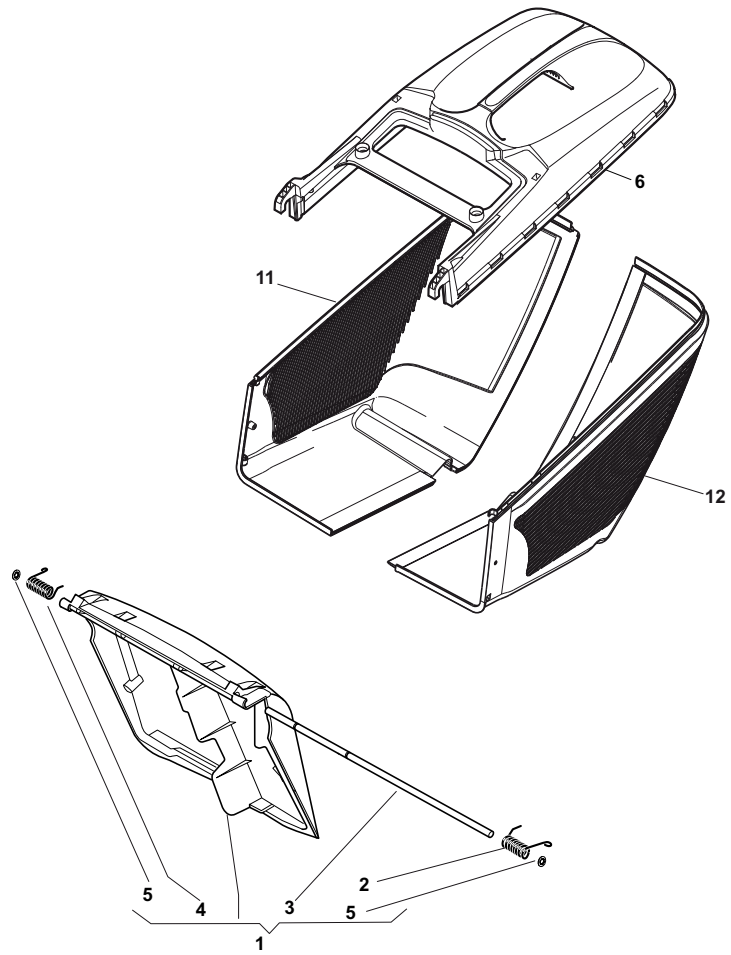
POS	PART. NO	Q.ty	DESCRIPTION	DESCRIZIONE	DESCRIPTION	BESCHREIBUNG	REMARKS
1	322170963/0	1	Protection	Protezione	Protection	Schutz	
2	12691700/0	3	Screw	Vite	Vis	Schraube	B&S
2	12691700/0	2	Screw	Vite	Vis	Schraube	B&S
2	12692050/0	1	Screw	Vite	Vis	Schraube	Honda
3	12521350/0	3	Washer	Rosetta	Rondelle	Scheibe	
4	12154210/0	3	Nut	Dado	Ecrou	Mutter	
5	22170835/0	2	Spacer	Distanziale	Entretoise	Distanzring	
6	122170836/1	1	Spacer	Distanziale	Entretoise	Distanzring	
7	322551671/0	1	Support	Supporto	Support	Halter	
8	112791200/1	1	Screw	Vite	Vis	Schraube	
9	12154510/0	1	Nut	Dado	Ecrou	Mutter	
10	122446188/0	1	Spring	Molla	Ressort	Feder	
11	122601922/0	1	Pulley, Crankshaft Ø 22.2	Puleggia, Albero Motore Ø 22.2	Poulie, Arbre Moteur Ø 22.2	Scheibe, Motorwelle Ø 22.2	B&S
11	122601923/0	1	Pulley, Crankshaft Ø 25	Puleggia, Albero Motore Ø 25	Poulie, Arbre Moteur Ø 25	Scheibe, Motorwelle Ø 25	Honda
12	112791200/1	2	Screw	Vite	Vis	Schraube	
13	381545335/0	1	Support	Supporto	Support	Halter	
14	12154510/0	2	Nut	Dado	Ecrou	Mutter	
15	122534127/0	1	Pin	Piolo	Bondon	Dübel	
16	12540060/0	1	Washer	Rondella	Rondelle	Scheibe	
17	22671653/0	1	Washer	Rosetta	Rondelle	Scheibe	
18	118399051/0	1	Mechanical Clutch	Ass. Frizione Meccanica	Embrayage Mecanique	Mechanische Kupplung	
19	12735460/0	1	Screw	Vite	Vis	Schraube	
20	181004382/0	1	Blade	Coltello	Lame	Messer	
21	12540060/0	2	Washer	Rondella	Rondelle	Scheibe	
22	12794110/0	2	Screw	Vite	Vis	Schraube	



POS	PART. NO	Q.ty	DESCRIPTION	DESCRIZIONE	DESCRIPTION	BESCHREIBUNG	REMARKS
1	381008021/2	1	Stone-Guard	Parasassi	Pare-Pierres	Prallblech	
2	22450420/1	1	R Spring	Molla Dx	Ressort D	Rechte Feder	
3	22517906/1	1	Pin	Perno	Pivot	Bolzen	
4	22450410/1	1	L Spring	Molla Sx	Ressort G	Linke Feder	
5	12000930/0	1	Snap Ring	Anello Elastico	Anneau Ressort	Sprengring	
6	22486093/0	1	Grass-Box, Upper	Sacco, Parte Sup	Sac, Partie	Korb, Oberteil	
7	12728445/0	2	Screw	Vite	Vis	Schraube	
8	81002195/0	1	Box, Fabric	Sacco, Tela	Sac, Toile	Sack, Tuck	
9	22608523/0	1	Stiffening Lower	Rinforzo Inf	Réinforcement Inf	Verstärkung	



POS	PART. NO	Q.ty	DESCRIPTION	DESCRIZIONE	DESCRIPTION	BESCHREIBUNG	REMARKS
1	381008081/2	1	Stone-Guard	Parasassi	Pare-Pierres	Prallblech	
2	122450466/0	1	L Spring	Molla Sx	Ressort G	Linke Feder	
3	122517882/0	1	Pin	Perno	Pivot	Bolzen	
4	122450465/0	1	R Spring	Molla Dx	Ressort D	Rechte Feder	
6	22486101/0	1	Grass-Box, Upper	Sacco, Parte Sup	Sac, Partie Superieure	Korb, Oberteil	
7	22608525/0	1	Stiffening Lower	Rinforzo Inf	Réinforcement Inf	Verstärkung	
8	81002211/0	1	Box, Fabric	Sacco, Tela	Sac, Toile	Sack, Tuck	
9	12728680/0	2	Screw	Vite	Vis	Schraube	
10	12523050/0	2	Washer	Rosetta	Rondelle	Scheibe	



POS	PART. NO	Q.ty	DESCRIPTION	DESCRIZIONE	DESCRIPTION	BESCHREIBUNG	REMARKS
1	381008081/2	1	Stone-Guard	Parasassi	Pare-Pierres	Prallblech	
2	122450466/0	1	L Spring	Molla Sx	Ressort G	Linke Feder	
3	122517882/0	1	Pin	Perno	Pivot	Bolzen	
4	122450465/0	1	R Spring	Molla Dx	Ressort D	Rechte Feder	
6	22486101/0	1	Grass-Box, Upper	Sacco, Parte Sup	Sac, Partie	Korb, Oberteil	
11	322486150/1	1	Grass-Box, R Lower	Sacco, Parte Inf Dx	Sac, Partie Inf. D	Korb, R Unterteil	
12	322486151/1	1	Grass-Box, L Lower	Sacco, Parte Inf Sx	Sac, Partie Inf. G	Korb, L Unterteil	